

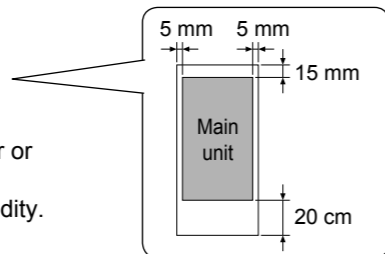
Installation Guide for the Flush Mounted Box and the Power Supply Unit

- Please read the main unit's installation and operation guide with this guide before installation.
- If you intend to install the power supply unit later, return it to the box, and keep it until required.

Before installation

Important:

- To avoid malfunction or communication disturbances, do not install the lobby station in the following locations:
 - Places where vibration or any other kind of impact occurs.
 - Places near hydrogen sulfide.
- Do not place other devices or obstacles in the area around the main unit shown in the figure.
- Do not install the power supply unit in the following places:
 - Places where the power supply unit may be splashed with water or chemicals.
 - Places where there is a high concentration of dust, or high humidity.

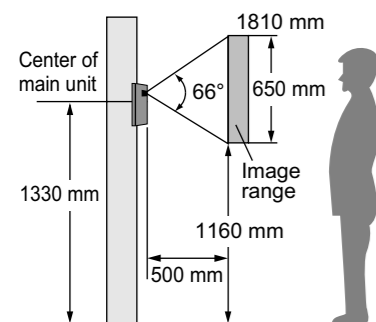


Installation position of the main unit and camera range

Installing on a vertical flat wall

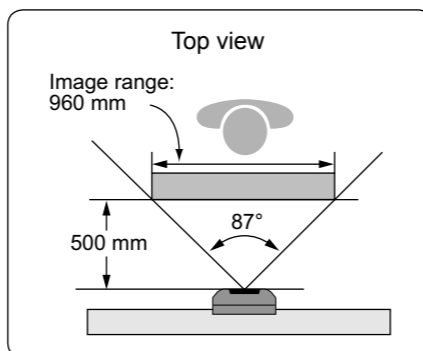
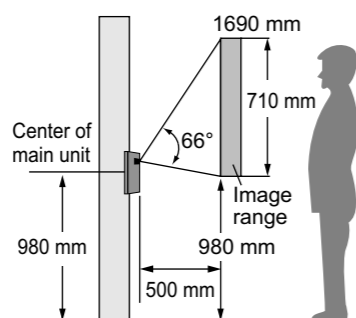
Side view when the camera is facing forwards at 0° (default).

Example: Installation height is 1330 mm (standard position).



Side view when the camera is installed lower than the standard position, and facing upwards at 15°.

Example: Installation height is 980 mm.

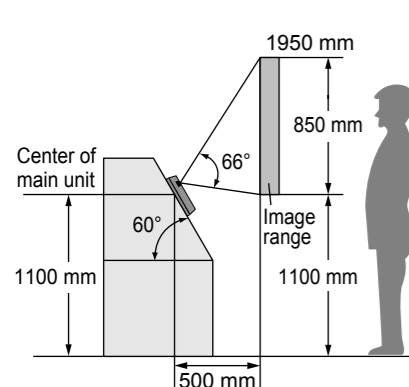


Installing on a tilted pedestal

- Do not install on a pedestal tilted at less than 45°.

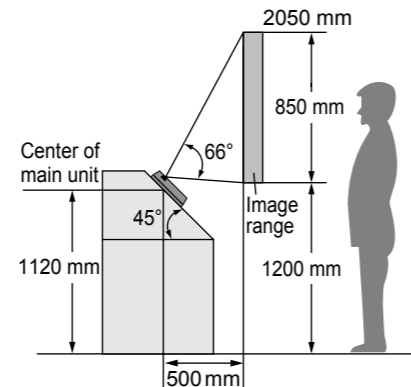
Side view when the camera is installed on a pedestal tilted at 60°, and facing forwards at 0° (default).

Example: Installation height is 1100 mm.



Side view when the camera is installed on a pedestal tilted at 45°, and facing downwards at 5°.

Example: Installation height is 1120 mm.



The camera angle can be adjusted using the camera angle control lever on the rear of the upper cabinet, so that the image range can be changed. Refer to the main unit's installation and operation guide.

Panasonic Corporation

1006, Oaza Kadoma, Kadoma-shi, Osaka 571-8501, Japan
http://www.panasonic.com



PNQW5442ZA

Installing the power supply unit on the wall

A DC cable is not included. You need to prepare one. For details, refer to the wire type and distance section in the main unit's installation and operation guide.

About the installation location

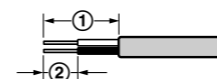
- The AC cable plug is used as the main disconnect device. Ensure that the power outlet is installed near the product and is easily accessible.
- A readily accessible disconnect device shall be incorporated external to the equipment.
 - External disconnect device must be certified and have a creepage and clearance distance of 3 mm or more.

Precautions for wiring

- Make sure that the power supply unit is unplugged before performing any wiring work.
- Always connect AC or DC cables to the appropriate connector or connection terminal.
- To prevent the DC cable from disconnecting and to prevent electric shock, secure the DC cable using the cable binder (accessory) and attach the cable cover.

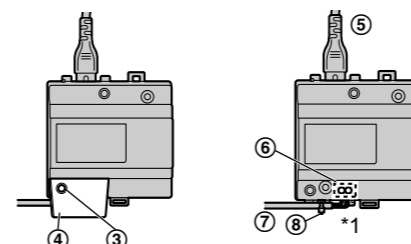
How to connect the AC cable and DC cable:

Connect the power supply unit (accessory), the AC cable (accessory), and a DC cable (locally procured).



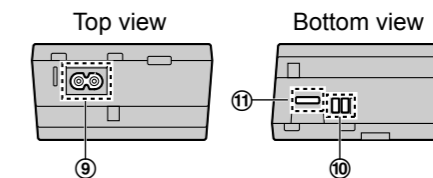
Power Supply Unit (VL-PS241) side: ① 25 mm ② 7 mm
Lobby Station (VL-V591) side: ① 52 mm or more ② 12 mm

Front view



*1 Make sure that there are no bare wires exposed outside the product.

Power supply unit (with cable cover removed)



⑪ DC cable binder hole

- Strip the DC cables as follows:
DC cable (①, ②)
- Remove the screws (③) and then remove the cable cover (④).
- Connect the AC cable (⑤) (accessory) to the AC IN connector (⑨) on the top of the power supply unit. Next, connect the DC cable (⑦) (locally procured) to the DC OUT terminal (⑩) on the bottom of the power supply unit, and then secure the wires by tightening the screws (⑥).

• Recommended torque: 0.45 N·m {4.6 kgf·cm}

CAUTION

Insert the cables firmly all the way into the connector and terminals. If the cables are not inserted all the way, heat may be generated.

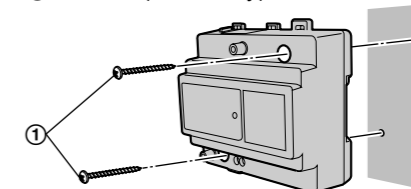
- Use the cable binder (⑧) (accessory) to secure the DC cable (⑦) (double-coated area) to the power supply unit.

- Make sure to replace the cable cover (④).

Wall mounting

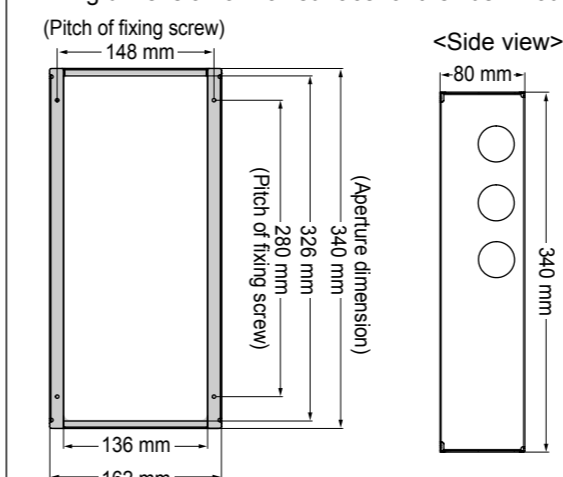
Attach the power supply unit to the wall securely.

- Screws (accessory) x 2



Installing the flush mounted box in the wall

Drilling dimension of wall surface for the flush mounted box



Open the knockout holes of the flush mounted box, and put the wires from each room and the door opener, and the DC cable from the power supply unit through the holes. Mount the box in the wall.

